



**945SL
SERIES
SINGLEMODE**

**FOUR CHANNEL DIGITAL VIDEO SYSTEM WITH TWO
BI-DIRECTIONAL MULTI-PROTOCOL DATA CHANNELS**

Features:

- ◆ Compatible with NTSC, (RS – 170A & RS –343A), PAL and SECAM
- ◆ Diagnostics: Video, DC Power, Digital Frame Sync, OLI, Data Activity
- ◆ Available with Enhanced "Afinety" Intelligent Monitoring System
- ◆ 10 Bit Digital Video Transmission
- ◆ Serial Digital Transmission

Specifications:

Video:

I/O Level 1 Vp-p (± 3 dB)
 I/O Impedance 75 Ohms
 Bandwidth 7 MHz
 Differential Gain 2 %
 Differential Phase 0.7 °
 SNR (Unified Weighted) 65 dB
 Connector BNC

Data:

Number of Channels 2 (Full Duplex)
 Interface Selectable Multi-protocol
 Choice of: RS-485 (2 or 4 wire),
 RS-422,
 RS232,
 Manchester
 Data Format Asynchronous, Serial
 Data Rate DC to 115 Kbs
 Connector 5 Pin Screw Terminals

Optical

Wavelength 1310/1550 nm
 Loss Budget (9/125 μ) 21 dB
 Connector FC/PC

Temperature (Operating)

-40°C to +75°C, non-condensing

Power Supply:

Rack Card – AFI SR 20/2

Size:

Rack Card :
 2 rack slots 6½" x 5" x 2"

Ordering information:

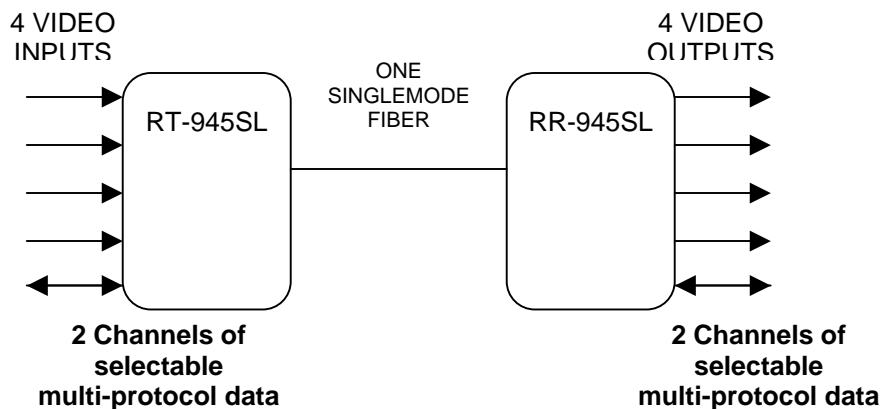
RT-945SL Rack Card Transmitter
 RR-945 SL Rack Card Receiver

Example: RT-945SL to RR-945SL



The American Fibertek 945SL Series transmits four channels of high-quality 10 bit digitized video and two channels of multi-protocol data on one singlemode optical fiber using WDM technology. Designed to be completely transparent to all camera and monitor manufacturers, this system requires no field adjustments at installation or additional maintenance thereafter. Diagnostic indicators provide a quick visual indication of system status. **The "Afinety" intelligent remote monitoring system is available on this product, please consult factory.**

Equipment may be ordered as rack cards, these are mounted in the American Fibertek Card Cages: SR-20/2 or SR-20R/1.



5/25/05